



# LEPTON EQUIPMENTS

Mfd of Flameproof IIA / IIB / IIC Control panel & Control Station  
And Flp Cable Gland All type Flameproof Accesories & Equipments.



<https://www.leptonequipments.com/>





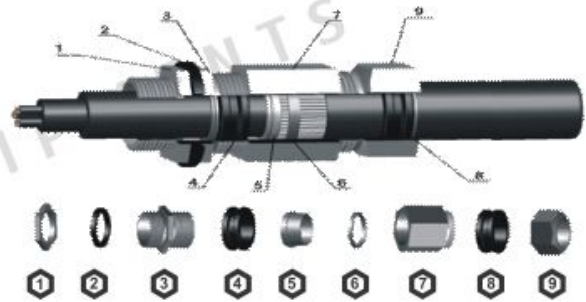
# CABLE GLANDS

Leading Manufacturer of Flameproof IIA / IIB / IIC & whether proof Double compression Cable Gland and Single compression Cable Gland, Brass Nickel Plated / Stainless Steel (SS) / Aluminium / PVC, Material Available



### Double Compression Cable Gland

Material : Brass, SS, Aluminum  
 IP Rating : IP66  
 Size Available In Different Size  
 Type : Flameproof, IIA, IIB, IIC  
 Ex'e + Weatherproof IP-66



### Single Compression Cable Gland

Material : Brass, SS, Aluminum  
 IP Rating : IP66  
 Size Available In Different Size  
 Type : Weatherproof IP-66



### PG Cable Gland

Material - Brass / stainless Steel  
 IP Rating : IP 66 / 67  
 Thared type : PG / MM (Metric) / ET  
 Size Available in Different sizes

## CABLE GLAND SELECTION THREAD SIZE

ET	NPT	METRIC	PG	BSP
3/4 "	1/2"	M20	PG-7	1/2"
1"	3/4 "	M25	PG-9	3/4 "
1-1/4"	1"	M32	PG-11	1"
1-1/2"	1-1/4"	M40	PG-13.5	1-1/4"
2"	1-1/2"	M50	PG-16	1-1/2"
2-1/2"	2"	M63	PG-21	2"
3"	2-1/2"	M75	PG-29	2-1/2"
3-1/2"	3"	M90	PG-36	3"
4"	4"	M100	PG-	4"



### PVC Cable Gland

Material : PVC  
 IP Rating : IP44  
 Size Available In Different Size



## JUNCTION BOX



**FLP & WP 4 Way  
Junction Box**  
Material : Aluminium / SS



**Flame Proof  
IIC Junction Box**  
Material : Aluminium / SS



**FLP IIA & IIB / IIC  
Terminal Box**  
Material : Aluminium / SS



**Flame Proof IIA & IIB  
Junction Box**  
Material : Aluminium / SS

## TERMINAL BOX



**Weather Proof  
Terminal Box**  
Material : MS / SS-304, SS-316



**Weather Proof  
Terminal Box**  
Material : FRP / GRP / PVC / Plastic



**Weather Proof  
Junction Box**  
Material : Aluminium / SS



**Flameproof  
Thermocouple**  
Material : Aluminium

## FLAMEPROOF SIDEROLLER LIMITSWITCH



**FLP & WP  
Side Roller  
Limit Switch**  
Material : Aluminium LM-6 / SS

## FLAMEPROOF LONG LIVER LIMIT SWITCH



**FLP & WP  
Long Liver  
Limit Switch**  
Material : Aluminium LM-6 / SS



## CONTROL PANEL



**FLP Push Button Stations**  
Material : Aluminium / SS



**FLP Control station Push Button & Rotary Switch**  
Material : Aluminium / SS



**IIC Flameproof Panel**  
Material : Aluminium / SS



**Flame Proof IIA & IIB Control Panel**  
Material : Aluminium / SS



**FLP Control Panel Board**  
Material : Aluminium / SS



**Weather Proof Control Panel**  
Material : MS / SS 304 / SS 316

## MANUAL POINT (MCP)



**FLP & WP Manual Call Point (MCP)**  
Material : Aluminium / SS



**FLP & WP Hooter**  
Material : Aluminium / SS

## SWITCH SOCKET



**FLP & WP Switch Socket**  
Material : Aluminium



**Weather Proof Switch Socket**  
Material : Aluminium / MS / SS

## FLAMEPROOF FAN



**FLP & WP Exhaust Fan**  
Material : Aluminium LM-6



**FLP & Wp Dol Statar**  
Material : Aluminium LM-6



## FLAMEPROOF TUBE LIGHT



FLP & WP  
Tube Light  
Material : Aluminium LM-6

## FLAMEPROOF EMERGENCY LIGHTS



FLP & WP  
Emergency Lights  
Material : Aluminium LM-6

## AVIATION LAMP



FLP & WP  
Aviation Lamp  
Material : Aluminium LM-6

## FLAMEPROOF LED WELL GLASS



FLP & WP  
Led Well Glass  
Material : Aluminium LM-6

## FLAMEPROOF RV LAMP



FLP & WP  
Rv Lamp  
Material : Aluminium LM-6

## FLAMEPROOF CLEAN ROOM LIGHT



FLP & WP  
Clean Room Light  
Material : Aluminium LM-6

## FLAMEPROOF FLOOD LIGHT



FLP & WP  
Flood Light  
Material : Aluminium LM-6

## FLAMEPROOF HAND LAMP



FLP & WP  
Hand Lamp  
Material : Aluminium LM-6

## FLAMEPROOF L.FIXTURES



FLP & WP / IIC  
Lighting Fixtures  
Material : Aluminium / SS

## FLAMEPROOF BEACON LAMP



FLP & WP  
Beacon Lamp  
Material : Aluminium / SS

LEPTON EQUIPMENTS





## TEE ADAPTERS



### Tee Adapter

Material : Brass, SS, Aluminum  
Size : Available In Different Size  
(1/2" to 1") M20 to M25

## Y ADAPTERS



### Y Adapter

Material : Brass, SS, Aluminum  
Size : Available In Different Size  
(1/2" to 1") M20 to M25

## INDUSTRIAL REDUCERS



### Brass Reducer

Material : Brass, SS, Aluminum  
Application : Gas & Hydraulic Area  
Size : Available In Different Size

## INDUSTRIAL ADAPTER



### Adapter

Material : Brass, SS, Aluminum  
Application : Gas & Hydraulic Area  
Size : Available In Different Size

## FLEXIBLE CONDUIT



### Polyamide Flexible Conduit

Features: Durable, High Tensile Strength, Immaculate Finish

## PVC Shroud



### PVC Shroud Cable Gland

Material : PVC  
Color : Black  
Size : Available In Different Size

## STOPPER PLUG



### Flp / WP Plug

Material : Brass, SS, Aluminum  
Application : Gas & Hydraulic Area  
Size : Available In Different Size

## BRASS NIPPLE



### Brass Nipple

Material : Brass, SS, Aluminum  
Application : Gas & Hydraulic Area  
Size : Available In Different Size

### PLUG THREAD SIZE

ET	NPT	METRIC	PG	BSP
3/4 "	1/2"	M20	PG-7	1/2"
1"	3/4 "	M25	PG-9	3/4 "
1-1/4"	1"	M32	PG-11	1"
1-1/2"	1-1/4"	M40	PG-13.5	1-1/4"
2"	1-1/2"	M50	PG-16	1-1/2"
2-1/2"	2"	M63	PG-21	2"
3"	2-1/2"	M75	PG-29	2-1/2"
3-1/2"	3"	M90	PG-36	3"
4"	4"	M100	PG-	4"

## CABLE LUG



### Cable Lug

Material : Brass, Aluminum  
Type : Lug  
Size Available In Different Size

## About us

---

Established in the year 2016, We “Lepton Equipments” are an outstanding and leading Proprietorship firm that is engaged in manufacturing a wide range of All type flame proof IIA/IIB/IIC Control panel, Control Station, Junction Box, Terminal Box, MCP, Hooter, Beacon, Thermocouple, Cable Gland & Plug And All type Accessories. We have well functional infrastructural unit to manufacturing of a wide range of products as per the set industry norms.

## Why us

---

Reasons which have turned up to be the most preference of our valued patrons include:

- Hi-tech infrastructure
- Experienced professionals
- Strict quality standards
- Competitive prices
- Timely delivery
- Positive records
- Wide distribution network
- Streamlined business operations



### LEPTON EQUIPMENTS

GIDC Ind. Estate, Makarpura,  
Vadodara, 390010, Gujarat, India  
Email ID : leptonequipments@gmail.com  
manharrohit@gmail.com  
Mo: 7016402921/ 9898830492/ 9924589372  
<https://www.leptonequipments.com/>

